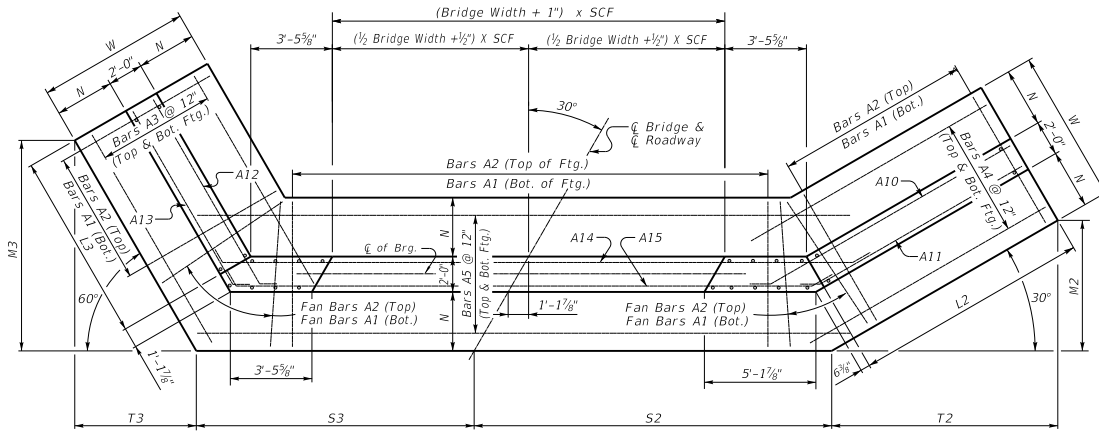


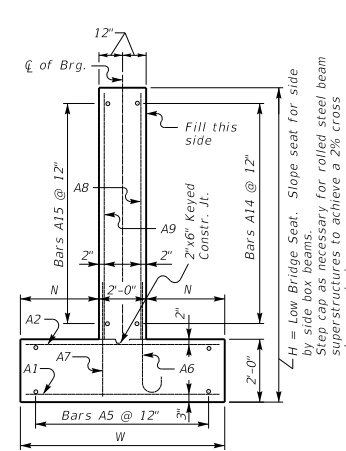
30° SKEW VARIABLE BRIDGE WIDTH 2:1 FILL SLOPES WINGS SKEWED 50% FROM ROADWAY TO BREASTWALL

ABUTMENT SKEW CORRECTION FACTOR (SCF) = 1.155

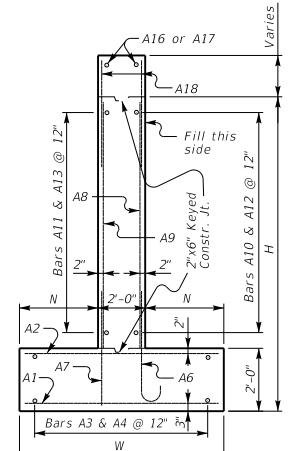


PLAN

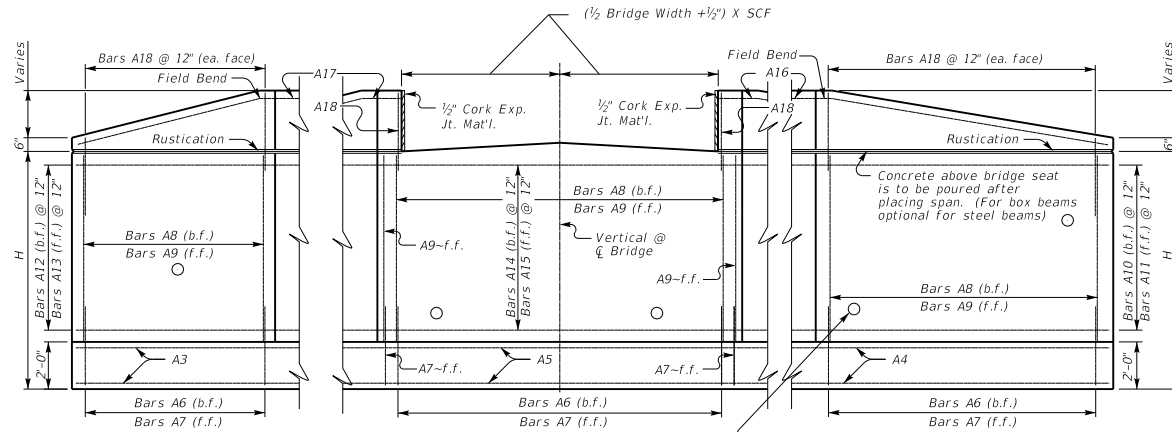
NOTE: Trim A16 & A17 bars if necessary



WALL SECTION

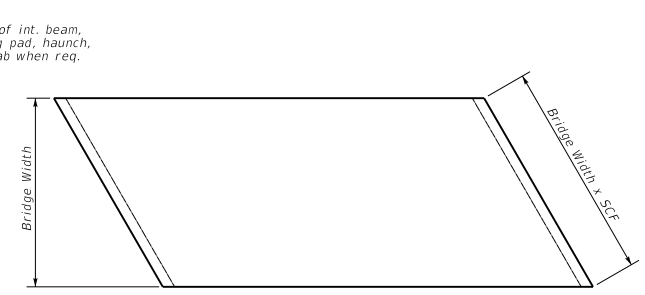


WING SECTION



ELEVATION

Place 4" weep hole drains at 8'-0" centers at such elevation as to afford best drainage of backfill, in accordance with the Standard Specifications.



KENTUCKY DEPARTMENT OF HIGHWAYS	
30° SKEW VARIABLE WIDTH ABUTMENT 50% SKEWED WINGS	
STANDARD DRAWING NO. BSA-013	
SUBMITTED <i>B. J. Adams</i> DIRECTOR DIVISION OF STRUCTURAL DESIGN	DATE 02-26-20
APPROVED <i>[Signature]</i> STATE REGISTERED ENGINEER	DATE 02-26-20